

SECTION B

CASAPPA HAND PUMPS



“Casappa Hand Pumps” are a series of double acting hand pumps providing flow in both directions of the lever movement.

Modular design - One of the primary characteristics of the new series of **“Casappa Hand Pumps”** is the modular design of the unit. The modular design of the pumping groups, reservoirs and accessories allow the flexibility to configure the hand pump assembly required for the application.

All pumping groups shown in the following pages can be mounted on a common support or on the reservoirs. The pumping groups are furnished with the screws and a gasket for sealing to the support or the reservoir.

NB: To obtain the total price ADD “Pump Unit” + “Reservoir” + “Handle”

EP(S) Hand Pumps

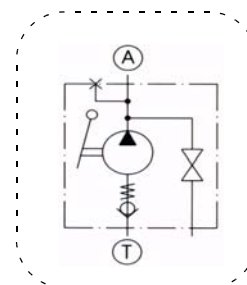
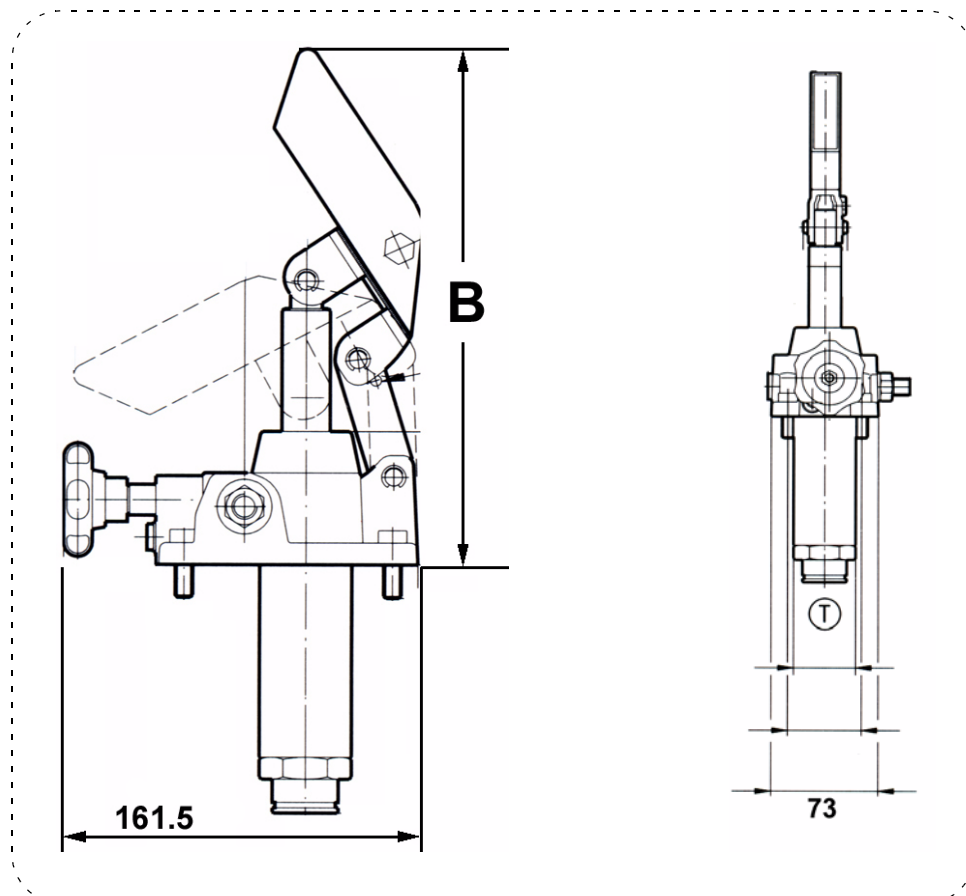
- * Single direction units.
- * New interchangeable modular design for maximum flexibility.
- * Same pumping group with or without reservoir.
- * Suitable for auxiliary or emergency applications.



Pump Unit with Built-in shutoff / release valve.

MODEL	Displacement	Max. Pressure	B	Weight	LIST PRICE
	(cc/cycle)	(BAR)	mm	kg	
EP12S	12	315	219	3,40	\$POA
EP25S	25	250	229	3,40	\$POA
EP45S	45	220	237	3,70	\$POA

NB: To obtain total price ADD Pump Unit + Reservoir + Handle



EP(D) HAND PUMPS

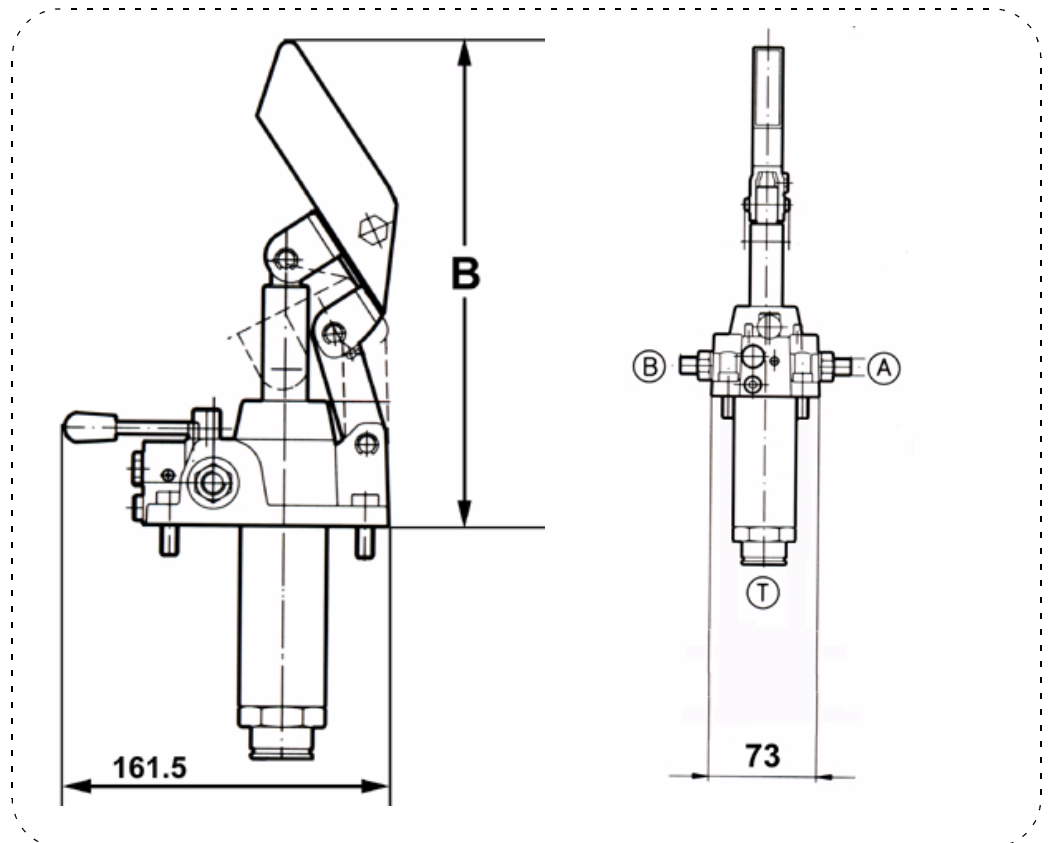
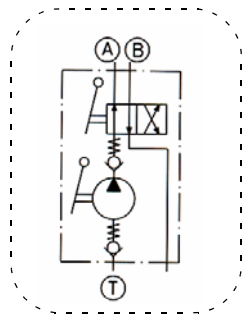


- * Dual direction units.
- * New interchangeable modular design for maximum flexibility.
- * Same pumping group with or without reservoir.
- * Suitable for auxiliary or emergency applications.

Pump Unit with Built-in shutoff / release valve.

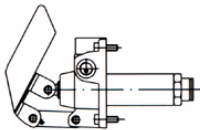



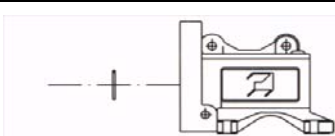
MODEL	Displacement	Max. Pressure	B	Weight	LIST PRICE
	(cc/cycle)	(BAR)	mm	kg	
EP12D	12	315	219	3,50	\$POA
EP25D	25	250	229	3,50	\$POA
EP45D	45	220	237	3,80	\$POA

NB: To obtain total price ADD Pump Unit + Reservoir + Handle

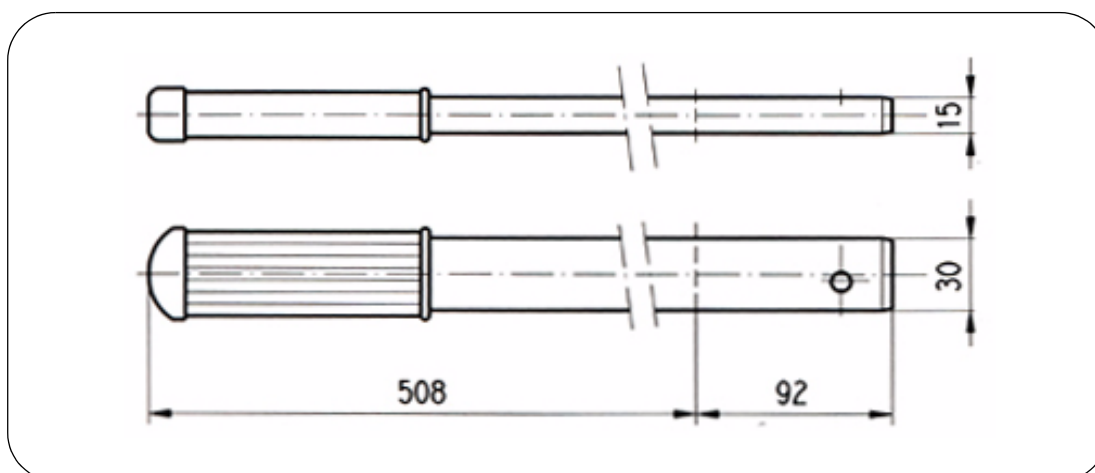


HAND PUMP RESERVOIR KITS

NB: Reservoir kits are supplied complete with suction tube

PUMPING GROUP	TANK	DESCRIPTION	MODEL	LIST PRICE
		2 Litre Reservoir	T2P	\$POA
		3 Litre Reservoir	T3P	\$POA
		5 Litre Reservoir	T5P	\$POA
		No Reservoir SUPPORT NB: Draw from separate reservoir	TOA	\$POA

HAND LEVER



MODEL	LIST PRICE
06004390	\$POA